



06-16-98

WINSLOH BED SET

Model #799-9901 (164-33) Twin Size
Model #799-9904 (164-46) Full Size
Model #799-9906 (164-50) Queen Size
Model #799-9908 (164-66) King Size
Model #799-9902 (164-11) Post Kit

ASSEMBLY INSTRUCTIONS

TOOLS REQUIRED
FOR ASSEMBLY
Allen Wrench
(Included)
Adjustable Wrench
(Not Included)

UNLESS OTHERWISE STATED, PLEASE DO NOT TIGHTEN BOLTS (AND/OR) SCREWS UNTIL UNIT IS COMPLETELY ASSEMBLED ON A FLAT SURFACE.

Examine all packaging material for small parts that may have come loose during shipment. Periodic checks are recommended to insure that all components are in proper position, tight and free from damage. Keep this assembly instruction for future reference.

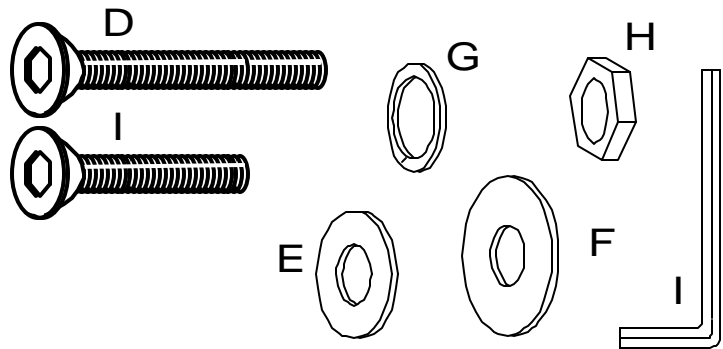
Adult assembly required.

PARTS LIST

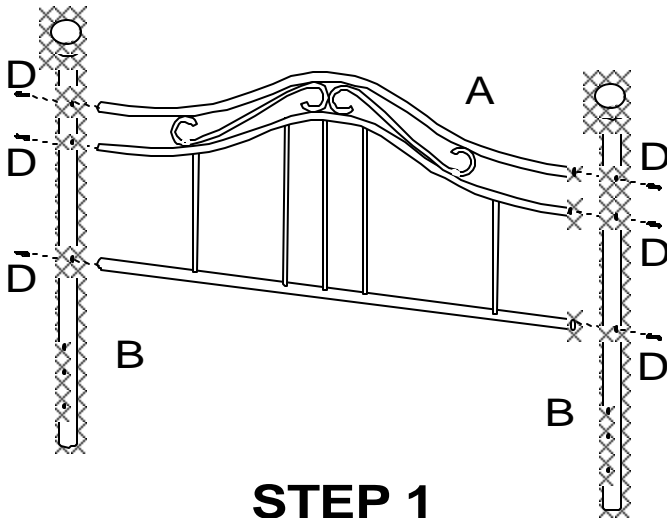
- A (2) Duo Panels
- B (2) Long Posts
- C (2) Short Posts

HARDWARE LIST

- D (12) Short Allen Bolts
- E (8) Metal Washers
- F (8) Rubber Washers
- G (8) Spring Washers
- H (4) Hex Nuts
- I (8) Long Allen Bolts
- J (1) Allen Wrench

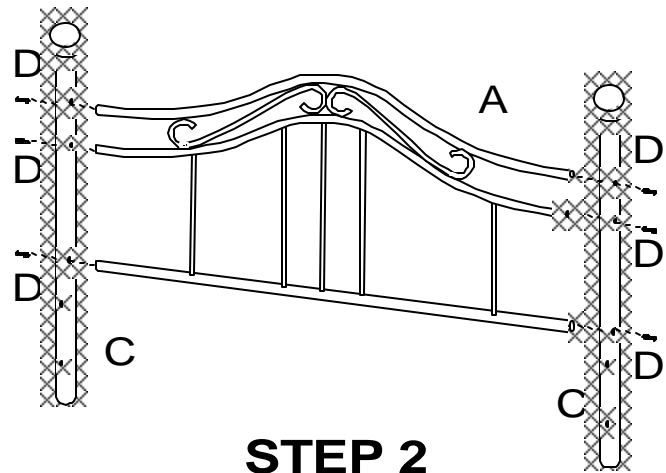


HARDWARE NOT DRAWN ACTUAL SIZE



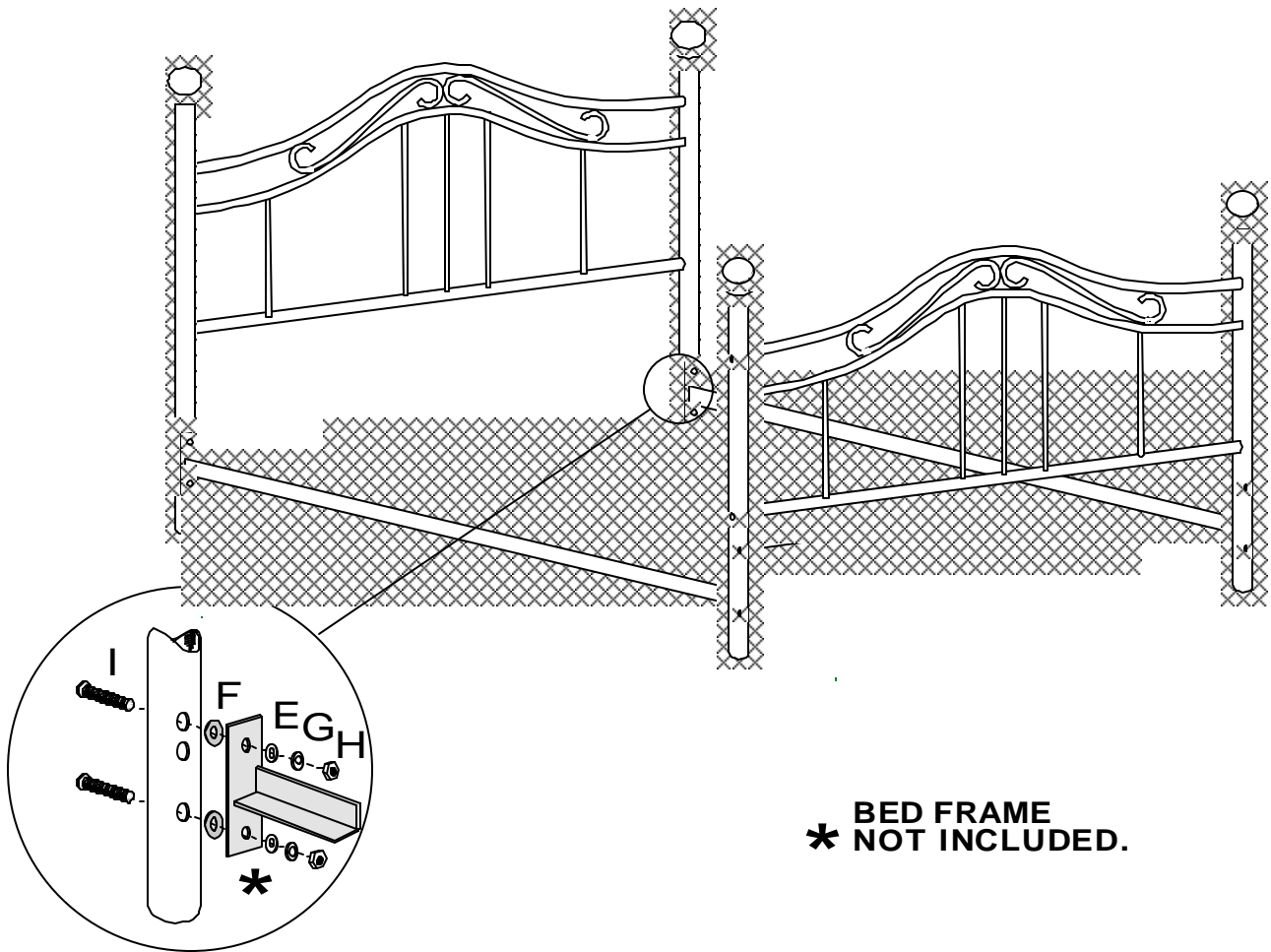
STEP 1

SECURE LONG POSTS (B) TO EACH SIDE OF ONE DUO PANEL (A) USING 3 SHORT ALLEN BOLTS (D) PER SIDE.



STEP 2

SECURE SHORT POSTS (C) TO EACH SIDE OF THE REMAINING DUO PANEL (A) USING 3 SHORT ALLEN BOLTS (D) PER SIDE.



*** BED FRAME
NOT INCLUDED.**

STEP 3

WITH THE HELP OF A FRIEND, SECURE BED FRAME (NOT INCLUDED) TO LONG AND SHORT POSTS (B&C) USING 2 LONG ALLEN BOLTS (I), 2 RUBBER WASHERS (F), 2 METAL WASHERS (E), 2 SPRING WASHERS (G) AND 2 HEX NUTS (H). TIGHTEN ALL BOLTS.

CARE & MAINTENANCE

The touch of a soft cloth is all the maintenance the finish of your new WINSLOH BED SET will ever need. Never use harsh or abrasive cleaners for polishing. Periodic checks are recommended to make sure that all bolts, screws and nuts are securely tightened.